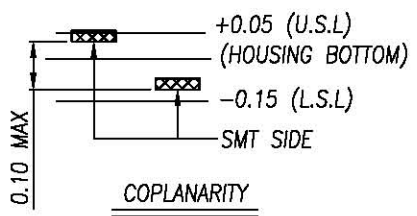
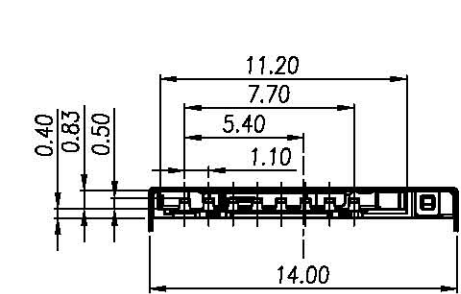
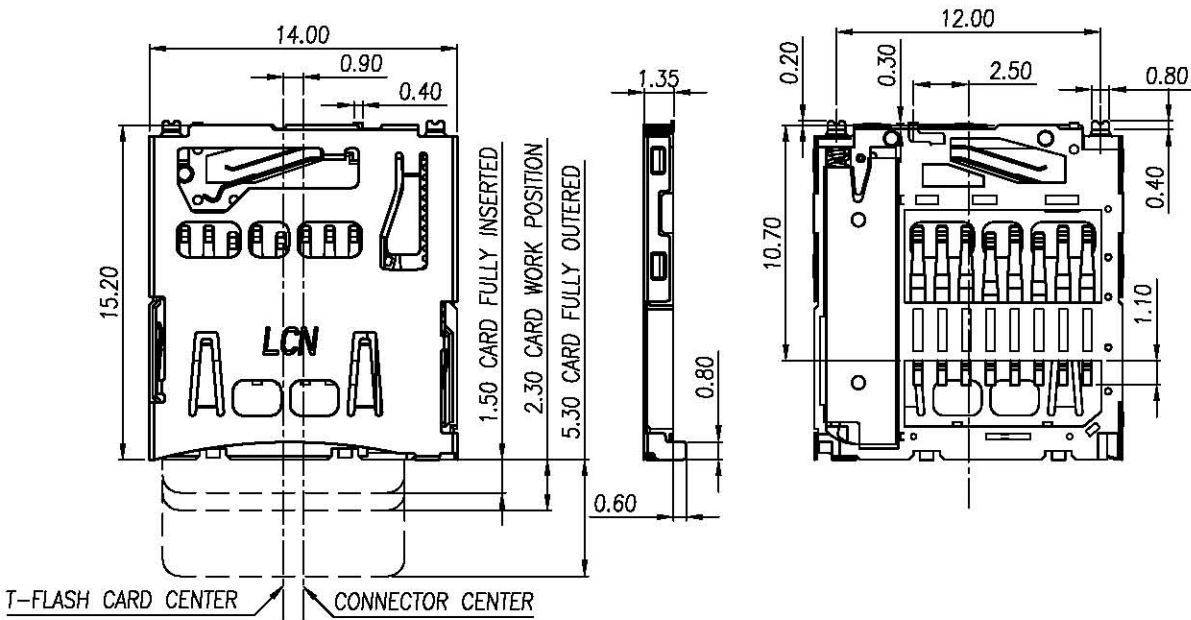
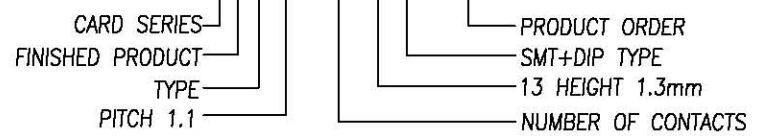


REV.	Q'TY	ECN. NO.	APR.	DATE
A	-	NEW DRAWING		2011.12.20
B	-	RN-13-4-352		2013.09.28



- NOTES:
- MATERIAL:
HOUSING: THERMOPLASTIC, UL 94V-0, COLOR BLACK;
SLIDE: THERMOPLASTIC, UL 94V-0, COLOR BLACK;
CONTACT: COPPER ALLOY T=0.10mm
CAM ROD AND SPRING: STAINLESS STEEL
SHIELDED: STAINLESS STEEL T=0.12mm
 - FINISH:
CONTACT: 5u" GOLD PLATING ON CONTACT AREA
GOLD FLASH PLATING ON SOLDER TAILS
50u" MIN. NICKEL UNDERPLATING OVER ALL
SHIELDED: GOLD FLASH PLATING ON SOLDER TAILS
50u" MIN. NICKEL UNDERPLATING OVER ALL
 - PRODUCT SPECIFICATIONS:
VOLTAGE RATING: 100V
CURRENT RATING: 0.5A
INSULATION RESISTANCE: 500 MEG.OHM MIN
CONTACT RESISTANCE: 100 MILL.OHM MAX;
After Condition $\Delta R=40m\Omega$ Max
OPERATION TEMPERATURE: -20° TO +85°
DURABILITY: 3000 CYCLES
 - PART NO:

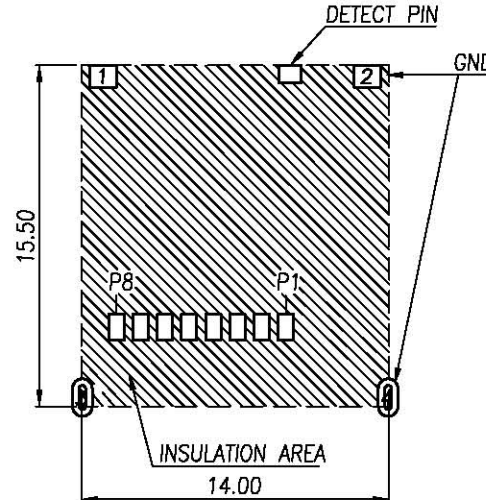
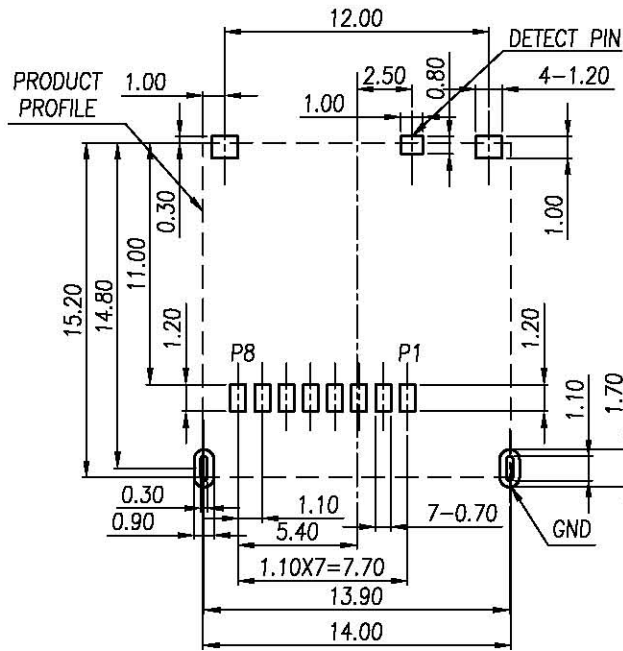
CAF11-08134-0512



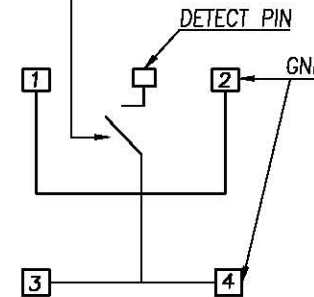
DIMENSION IN mm		TOLERANCE UNLESS OTHERWISE SPECIFIED		Shenzhen Linkconn Electronics Co., Ltd.			
.X±0.35	X.*± 5'	APR.	TITLE: T-FLASH CARD CONN. (PUSH TO PUSH TYPE)				
.XX±0.25	.X.*± 3'	CHK.	DWG NO. CAF11-08134-0512				
.XXX±0.15	.XX.*± 1'	DRA. Derek Liu 2013.09.28	PROJ.	CUSTOMER DRAWING			
		SIZE A4	SCALE 3:1	SHEET 1/3	REV. B		



REV.	Q'TY	ECN. NO.	APR.	DATE
A	-	NEW DRAWING		2011.11.20
B	-	RN-13-4-352		2013.09.28



NORMALLY OPEN IN THE CONNECTOR
WHEN THE CARD PUSH-IN, THE SWITCH IS CLOSE



1, 2, 3, 4 SOLDER-PAD ON SHELL

CIRCUIT SHOW FIGURE

Pin No.	NAME	TYPE	DESCRIPTION
P1	DAT 2	I/O/PP	Date Line(bit2)
P2	CD/DAT 3	I/O/PP	Card Detect/Date Line(bit3)
P3	CMD	PP	Command Response
P4	VDD	S	Supply Voltage
P5	CLK	I	Colck
P6	VSS	S	Supply Voltage Ground
P7	DAT0	I/O/PP	Date Line(bit0)
P8	DAT1	I/O/PP	Date Line(bit1)

DIMENSION IN mm		TOLERANCE UNLESS OTHERWISE SPECIFIED		Shenzhen Linkconn Electronics Co.,Ltd.			
.X±0.35	X.*± 5'	APR.	TITLE: T-FLASH CARD CONN. (PUSH TO PUSH TYPE)				
.XX±0.25	.X*± 3'	CHK.	DWG NO. CAF11-08134-0512				
.XXX±0.15	.XX*± 1'	DRA. Derek Liu 2013.09.28	PROJ.	CUSTOMER DRAWING			
		SIZE A4	SCALE 3:1	SHEET 2/3	REV. B		

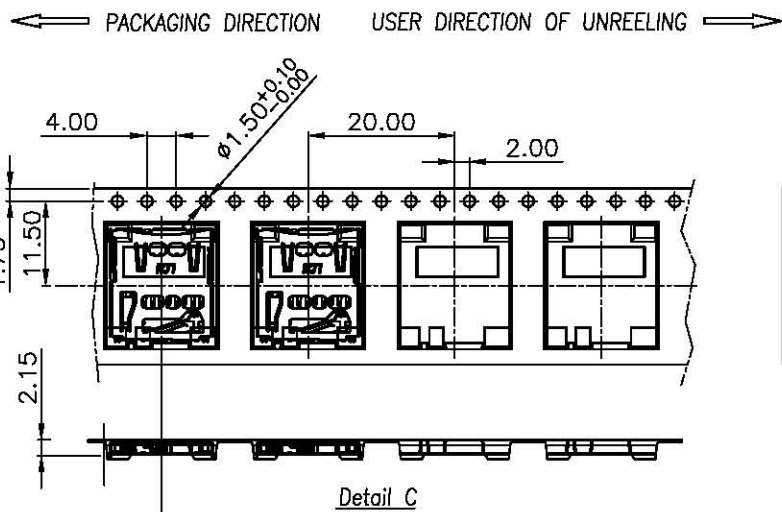
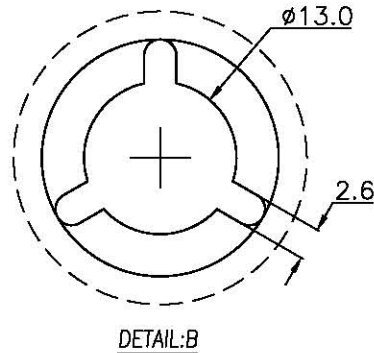
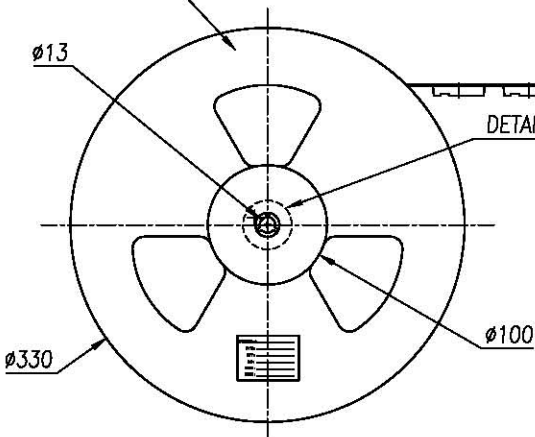
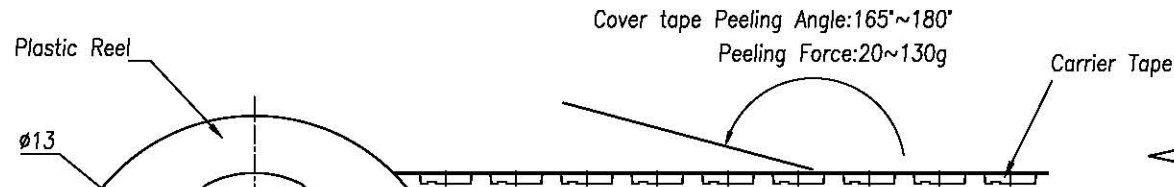
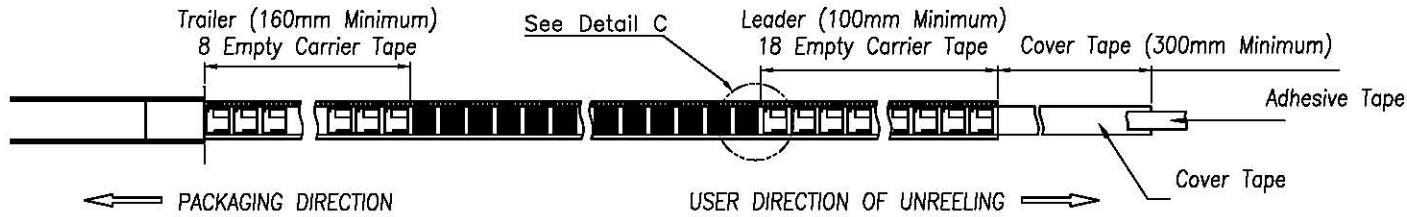
1 2 3 4 5 6 7 8



REV.	Q'TY	ECN. NO.	APR.	DATE
A	-	NEW DRAWING		2011.12.20
B	-	RN-13-4-352		2013.09.28

A
B
C
D
E
F

A
B
C
D
E
F



1	CAF11-08134-0512	1200	10	8.6	12000	340X340X330
ITEM	PRODUCT NO	QTY/REEL	REEL/CARTON	Kg/CARTON	QTY/CARTON	CARTON SIZE

DIMENSION IN mm		TOLERANCE UNLESS OTHERWISE SPECIFIED				Shenzhen Linkconn Electronics Co.,Ltd.			
.X± 0.35	X.*± 5'	APR.	TITLE: T-FLASH CARD CONN. (PUSH TO PUSH TYPE)						
.XX± 0.25	.X.*± 3'	CHK.	DWG NO. CAF11-08134-0512						
.XXX± 0.15	.XX.*± 1'	DRA. Derek Liu 2013.09.28	PROJ. CUSTOMER DRAWING						
		SIZE A4	SCALE N/A	SHEET 3/3	REV. B				

1 2 3 4 5 6 7 8 F-RD-18A